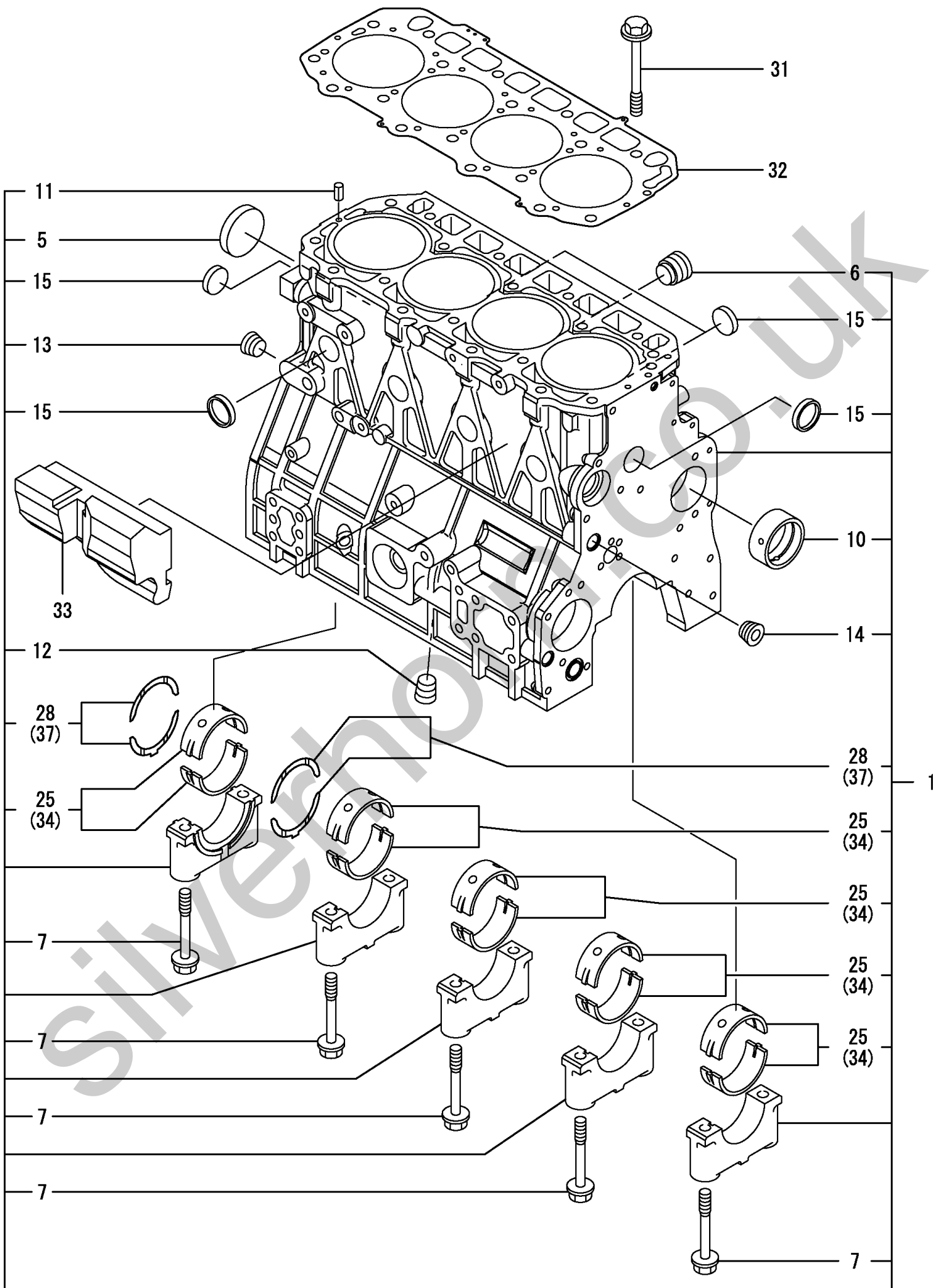


[Info]  
PcNo=Y00B7000  
PcName=4TNV94L-PDBWE (S4311)  
JpnUse=0  
JpnSec1=  
JpnSec2=  
JpnSec3=  
JpnPreface=0  
EngUse=1  
EngSec1=ENGINE  
EngSec2=SMALL VERTICAL (B)  
EngSec3=TNV  
EngPreface=0

Silverhorn.CO.UK

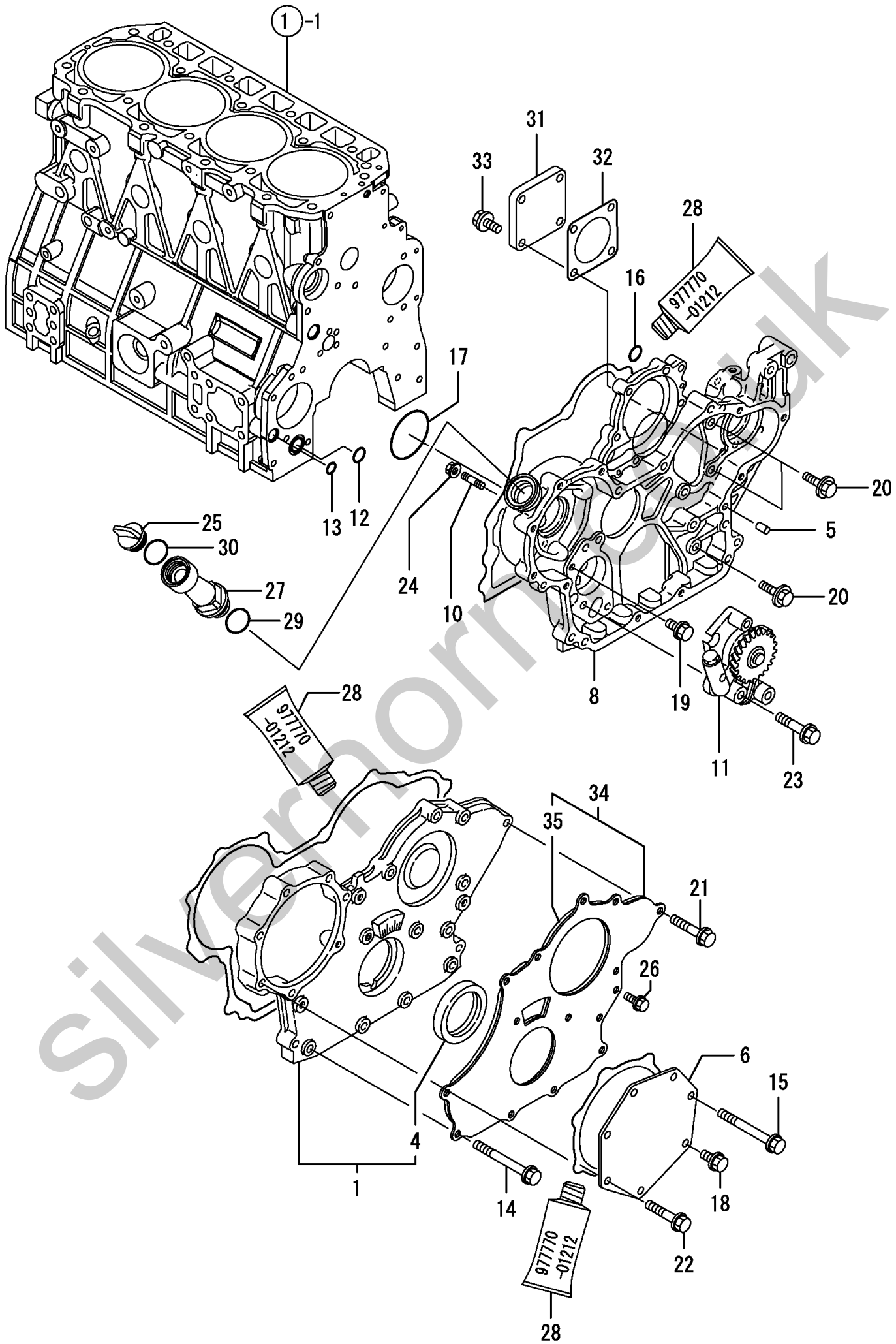
1,1,,729906-01560,, "BLOCK ASSY, CYLINDER",1,,,,,,,,,,,,,  
5,2,,129900-01250,, "PLUG 55",1,,,,,,,,,,,,,  
6,2,,171051-01921,, "PLUG",1,,,,,,,,,,,,,  
7,2,,129900-02020,, "BOLT, METAL CAP",10,,,,,,,,,,,,,  
10,2,,129900-02410,, "BUSH, CAMSHAFT",1,,,,,,,,,,,,,  
11,2,,22351-060012,, "SPRING PIN 6X12",2,,,,,,,,,,,,,  
12,2,,23876-030000,, "PLUG PT3/8,SCREW",1,,,,,,,,,,,,,  
13,2,,23876-030000,, "PLUG PT3/8,SCREW",1,,,,,,,,,,,,,  
14,2,,23876-030000,, "PLUG PT3/8,SCREW",1,,,,,,,,,,,,,  
15,2,,27241-300000,, "PLUG, 30",8,,,,,,,,,,,,,  
25,2,,729900-02800,, "MAIN BEARING SET",5,,,,,,,,,3,,,,,,,,,  
28,2,,129900-02930,, "BEARING ASSY, THRUST",2,,,,,,,,,,,,,  
31,1,,129900-01200,, "BOLT, HEAD",18,,,,,,,,,,,,,  
32,1,,129906-01340,, "GASKET,CYLINDER HEAD",1,,,,,,,,,,,,,  
33,1,,129907-01190,, "SPACER",1,,,,,,,,,,,,,  
34,1,,129900-02340,, "MAIN BEARING US=0.25",5,,,,,,,,,1,,,,,,,,,  
37,1,,129900-02940,, "BEARING,THRUST .250S",2,,,,,,,,,2,,,,,,,,,

Silverhorn.CO.UK



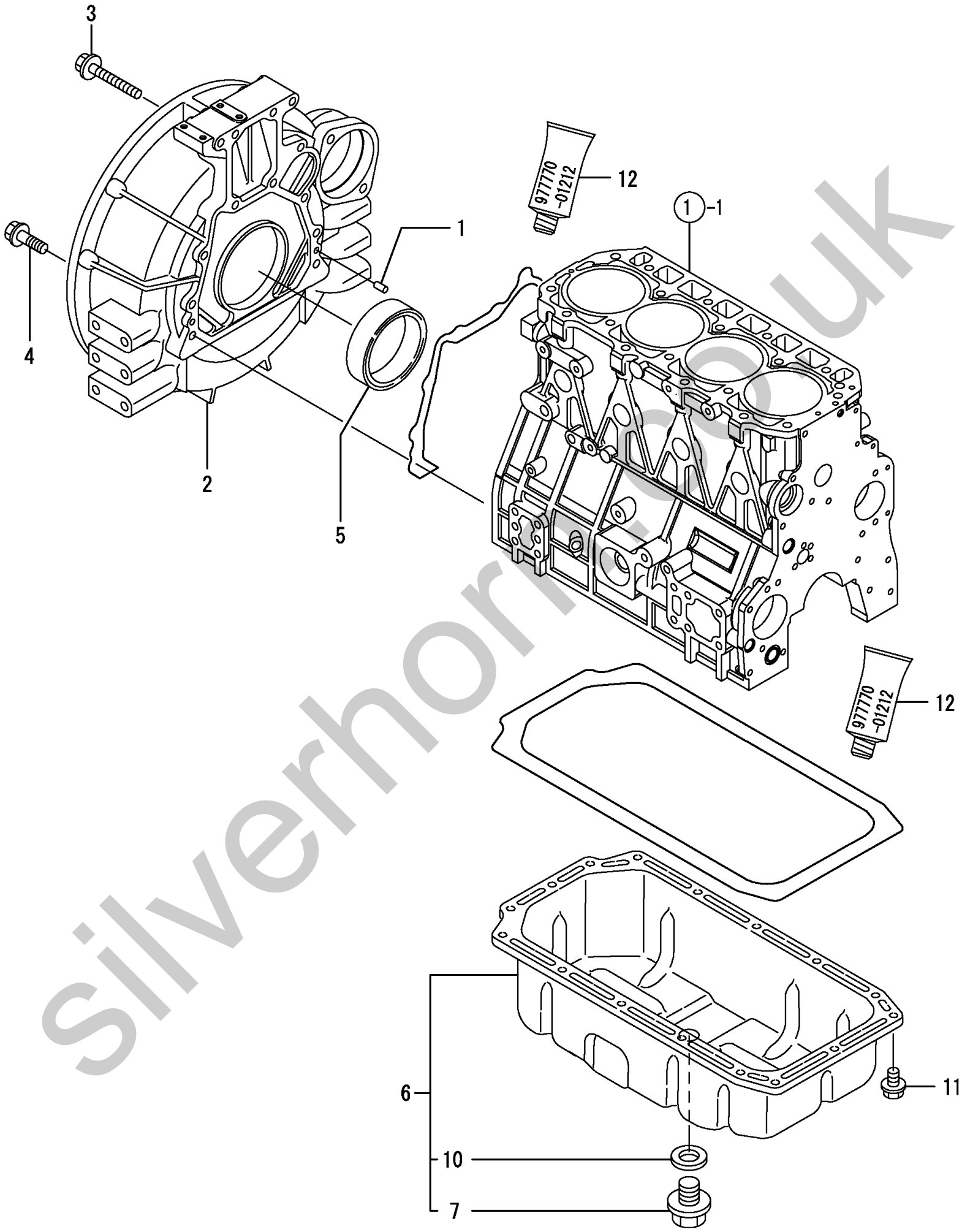
1,1,,729906-01550,, "HOUSING ASSY,COVER,G",1, .....  
4,2,,129916-01800,, "SEAL, OIL",1, .....  
5,1,,129100-01580,, "PARALLEL PIN 8X16",4, .....  
6,1,,129951-01740,, "COVER, F.I. PUMP",1, .....  
8,1,,129907-01500,, "HOUSING,GEARS",1, .....  
10,1,,26216-100302,, "STUD BOLT",4, .....  
11,1,,129907-32009,, "PUMP ASSY, LUB.OIL",1, .....  
12,1,,129900-32030,, "O-RING P20",1, .....  
13,1,,129900-32040,, "O-RING P14",1, .....  
14,1,,129001-91810,, "BOLT M 8X 70 PLATED",6, .....  
15,1,,129001-91810,, "BOLT M 8X 70 PLATED",1, .....  
16,1,,24311-000070,, "O-RING 1A P-7.0",1, .....  
17,1,,24351-030750,, "PACKING, 3075",1, .....  
18,1,,26106-080162,, "BOLT M 8X 16 PLATED",1, .....  
19,1,,26106-080162,, "BOLT M 8X 16 PLATED",1, .....  
20,1,,26106-080202,, "BOLT M 8X 20 PLATED",3, .....  
21,1,,26106-080402,, "BOLT M 8X 40 PLATED",5, .....  
22,1,,26106-080402,, "BOLT M 8X 40 PLATED",5, .....  
23,1,,26106-080452,, "BOLT M 8X 45 PLATED",3, .....  
24,1,,26306-100002,, "NUT",4, .....  
25,1,,124160-01751,, "COVER,FILLER",1, .....  
26,1,,26106-080162,, "BOLT M 8X 16 PLATED",3, .....  
27,1,,171031-11741,, "PIPE",1, .....  
28,1,,977770-01212,, "GASKET, LIQUID",1, ..... 1, .....  
29,1,,24311-000320,, "O-RING 1A P-32.0",1, .....  
30,1,,24311-000320,, "O-RING 1A P-32.0",1, .....  
31,1,,124240-01871,, "COVER, HO-P",1, .....  
32,1,,124240-01883,, "GASKET, (NON-ASB.)",1, .....  
33,1,,26106-080162,, "BOLT M 8X 16 PLATED",4, .....  
34,1,,129900-01850,, "COVER ASSY",1, .....  
35,2,,129900-01870,, "SPONGE",1, .....





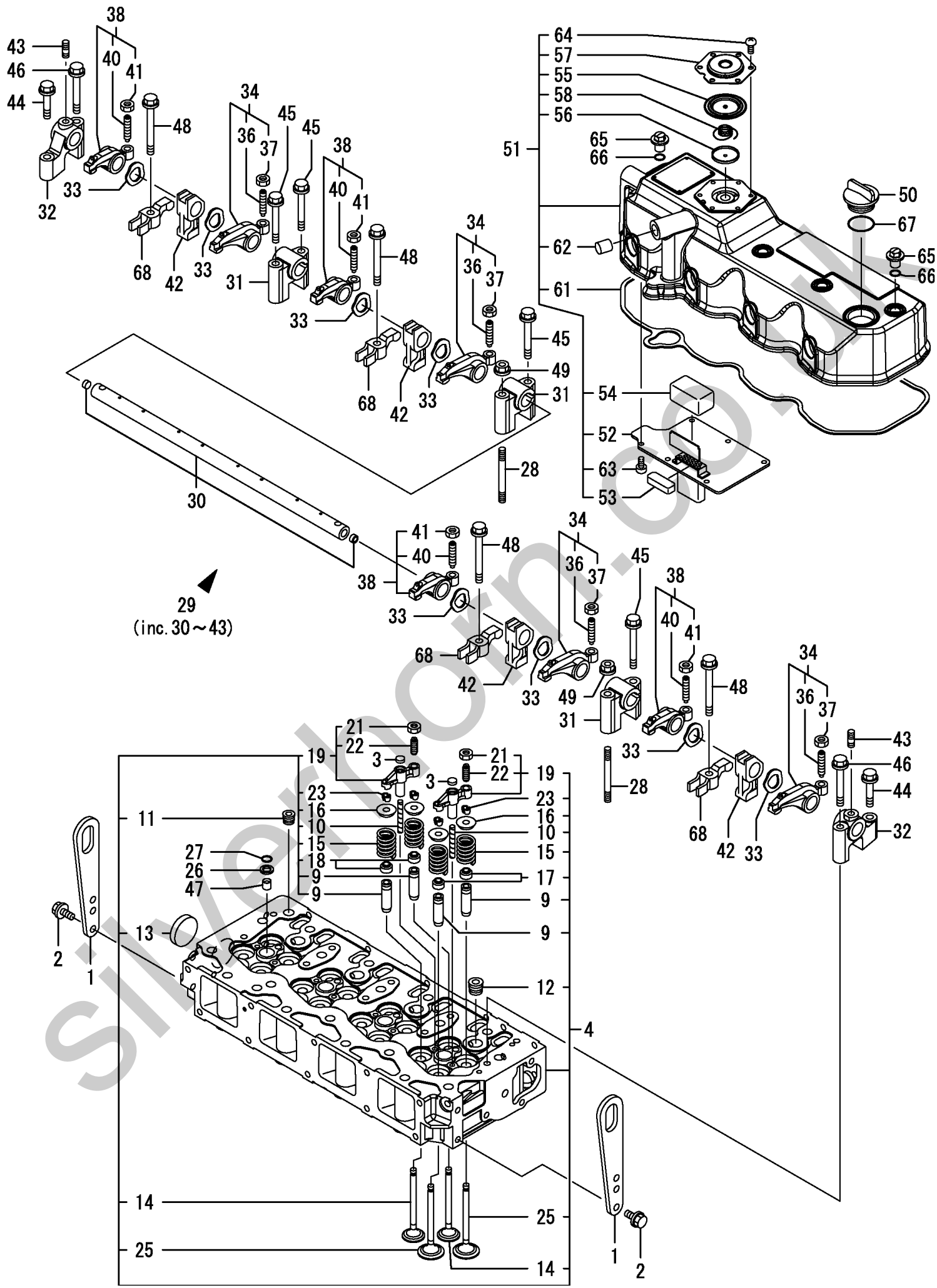
1,1,,129100-01580,, "PARALLEL PIN 8X16",2,,,,,,,,,,,,,  
2,1,,129981-01600,, "FLYWHEEL HOUSING",1,,,,,,,,,,,,,  
3,1,,26206-100702,, "BOLT M10X 70 PLATED",4,,,,,,,,,,,,,  
4,1,,26206-100352,, "BOLT M10X 35 PLATED",9,,,,,,,,,,,,,  
5,1,,129916-01790,, "SEAL, OIL",1,,,,,,,,,,,,,  
6,1,,129953-01710,, "SUMP ASSY, OIL",1,,,,,,,,,,,,,  
7,2,,119640-01640,, "DRAIN PLUG M22",1,,,,,,,,,,,,,  
10,2,,22190-220002,, "SEAL WASHER 22S",1,,,,,,,,,,,,,  
11,1,,26106-080122,, "BOLT M 8X 12 PLATED",16,,,,,,,,,,,,,  
12,1,,977770-01212,, "GASKET, LIQUID",1,,,,,,,,,1,,,,,,,,,

Silverhorn.CO.UK



1,1,,129900-07900,, "LIFTER, ENGINE",2,,,,,,,,,,,,,,,,,,,,,  
2,1,,26106-080162,, "BOLT M 8X 16 PLATED",4,,,,,,,,,,,,,,,,,,,,,  
3,1,,123907-11550,, "SEAT A,VALVE BRIDGE",8,,,,,,,,,,,,,,,,,,,,,  
4,1,,129907-11700,, "HEAD ASSY, CYLINDER",1,,,,,,,,,,,,,,,,,,,,,  
9,2,,129907-11800,, "GUIDE, VALVE",16,,,,,,,,,,,,,,,,,1,  
10,2,,123907-11820,, "GUIDE,VALVE BRIDGE",8,,,,,,,,,,,,,,,,,,,,,  
11,2,,23876-020000,, "PLUG 1/4",1,,,,,,,,,,,,,,,,,,,,,  
12,2,,23876-030000,, "PLUG PT3/8,SCREW",4,,,,,,,,,,,,,,,,,,,,,  
13,2,,27241-400000,, "PLUG 40",1,,,,,,,,,,,,,,,,,,,,,  
14,2,,129907-11110,, VALVE(EXH,8,,,,,,,,,,,,,,,,,,,,,  
15,2,,129907-11120,, "VALVE SPRING",16,,,,,,,,,,,,,,,,,,,,,  
16,2,,119620-11180,, "RETAINER, SPRING",16,,,,,,,,,,,,,,,,,,,,,  
17,2,,124160-11340,, "SEAL, VALVE STEM",8,,,,,,,,,,,,,,,,,,,,,  
18,2,,124950-11340,, "SEAL, VALVE STEM",8,,,,,,,,,,,,,,,,,,,,,  
19,2,,129907-11510,, "BRIDGE ASSY,VALVE",8,,,,,,,,,,,,,,,,,,,,,  
21,3,,129150-11750,, "NUT M8XP1.0",8,,,,,,,,,,,,,,,,,,,,,  
22,3,,123907-11830,, "SCRWE,VALVE BRIDGE",8,,,,,,,,,,,,,,,,,,,,,  
23,2,,27310-070001,, "COTTER ASSY",16,,,,,,,,,,,,,,,,,,,,,  
25,2,,129907-11100,, VALVE(INT,8,,,,,,,,,,,,,,,,,,,,,  
26,1,,119625-11880,, "SEAT, NOZZLE",4,,,,,,,,,,,,,,,,,,,,,  
27,1,,24311-000120,, "O-RING 1A P 12.0",4,,,,,,,,,,,,,,,,,,,,,  
28,1,,119593-11301,, "BOLT 8X80",2,,,,,,,,,,,,,,,,,,,,,  
29,1,,129907-11341,, "SUPPORT CMP",1,,,,,,,,,,,,,,,,,,,,,  
30,2,,129907-11250,, "SHAFT,ROCKER ARM",1,,,,,,,,,,,,,,,,,,,,,  
31,2,,129907-11260,, "SUPPORT A",3,,,,,,,,,,,,,,,,,,,,,  
32,2,,129907-11270,, "SUPPORT B",2,,,,,,,,,,,,,,,,,,,,,  
33,2,,123907-11280,, "WAVE WASHER",8,,,,,,,,,,,,,,,,,,,,,  
34,2,,129907-11650,, "ARM ASSY, ROCKER",4,,,,,,,,,,,,,,,,,,,,,  
36,3,,129150-11230,, "SCREW, VALVE",4,,,,,,,,,,,,,,,,,,,,,  
37,3,,129150-11750,, "NUT M8XP1.0",4,,,,,,,,,,,,,,,,,,,,,  
38,2,,129907-11660,, "ARM ASSY, ROCKER",4,,,,,,,,,,,,,,,,,,,,,  
40,3,,129150-11230,, "SCREW, VALVE",4,,,,,,,,,,,,,,,,,,,,,  
41,3,,129150-11750,, "NUT M8XP1.0",4,,,,,,,,,,,,,,,,,,,,,  
42,2,,129907-11920,, "PEDESTAL,RETAINER",4,,,,,,,,,,,,,,,,,,,,,  
43,2,,26226-080222,, "STUD M 8X 22 PLATED",2,,,,,,,,,,,,,,,,,,,,,  
44,1,,26106-080402,, "BOLT M 8X 40 PLATED",2,,,,,,,,,,,,,,,,,,,,,  
45,1,,26106-080602,, "BOLT M 8X 60 PLATED",4,,,,,,,,,,,,,,,,,,,,,  
46,1,,26106-080602,, "BOLT M 8X 60 PLATED",2,,,,,,,,,,,,,,,,,,,,,  
47,1,,119802-11870,, "PROTECTOR, NOZZLE",4,,,,,,,,,,,,,,,,,,,,,  
48,1,,129907-11950,, "FLANGE BOLT,RETAINER",4,,,,,,,,,,,,,,,,,,,,,  
49,1,,26306-080002,, NUT,2,,,,,,,,,,,,,,,,,,,,,  
50,1,,124160-01751,, "COVER,FILLER",1,,,,,,,,,,,,,,,,,,,,,  
51,1,,129907-11320,, "BONNET ASSY",1,,,,,,,,,,,,,,,,,,,,,  
52,2,,129907-03010,, "BAFFLE PLATE",1,,,,,,,,,,,,,,,,,,,,,  
53,2,,129907-03060,, BAFFLE,1,,,,,,,,,,,,,,,,,,,,,  
54,2,,129907-03070,, BAFFLE,1,,,,,,,,,,,,,,,,,,,,,  
55,2,,123907-03100,, "DIAPHRAGM,BREATHER",1,,,,,,,,,,,,,,,,,,,,,  
56,2,,123907-03110,, "CENTER PLATE",1,,,,,,,,,,,,,,,,,,,,,  
57,2,,123907-03120,, "PLATE,BREATHER",1,,,,,,,,,,,,,,,,,,,,,  
58,2,,123907-03140,, "SPRING, DIAPHRAGM",1,,,,,,,,,,,,,,,,,,,,,  
61,2,,129907-11310,, "PACKING,BONNET",1,,,,,,,,,,,,,,,,,,,,,  
62,2,,119640-61400,, PLUG,1,,,,,,,,,,,,,,,,,,,,,  
63,2,,22857-500100,, "SCREW 5X10,TAPPING",6,,,,,,,,,,,,,,,,,,,,,  
64,2,,22857-500100,, "SCREW 5X10,TAPPING",6,,,,,,,,,,,,,,,,,,,,,  
65,1,,124160-11360,, KNOB,4,,,,,,,,,,,,,,,,,,,,,  
66,1,,24311-000120,, "O-RING 1A P 12.0",4,,,,,,,,,,,,,,,,,,,,,  
67,1,,24311-000320,, "O-RING 1A P-32.0",1,,,,,,,,,,,,,,,,,,,,,  
68,1,,129907-11910,, "RETAINER,F. I. VALVE",4,,,,,,,,,,,,,,,,,,,,,



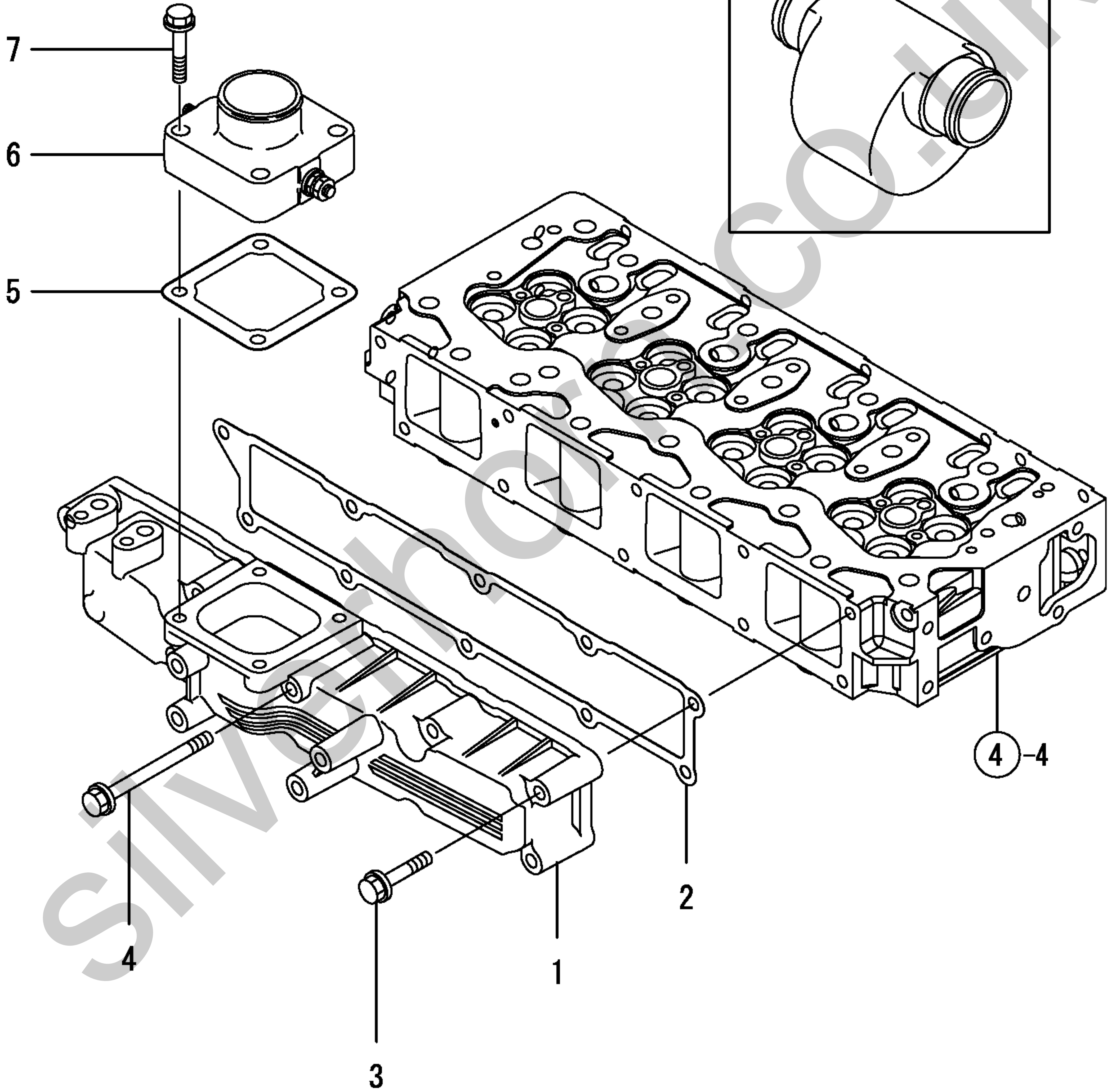


1,1,,129907-12100,, "MANIFOLD,AIR INTAKE",1,,,,,,,,,,,,,  
2,1,,129907-12110,, PACKING(INT.MANIFOLD,1,,,,,,,,,,,,,  
3,1,,26106-080552,, "BOLT M 8X 55 PLATED",9,,,,,,,,,,,,,  
4,1,,26106-080852,, "BOLT M 8X 85 PLATED",1,,,,,,,,,,,,,  
5,1,,121850-77021,, "GASKET, (NON-ASB.)",1,,,,,,,,,,,,,  
6,1,,129915-77050,, "AIR HEATER",1,,,,,,,,,,,,,  
7,1,,26106-080352,, "BOLT M 8X 35 PLATED",4,,,,,,,,,,,,,  
8,1,,119005-12060,, "SILENCER,SUCTION",1,,,,,,,,,,,,,

Silverhorn.CO.UK

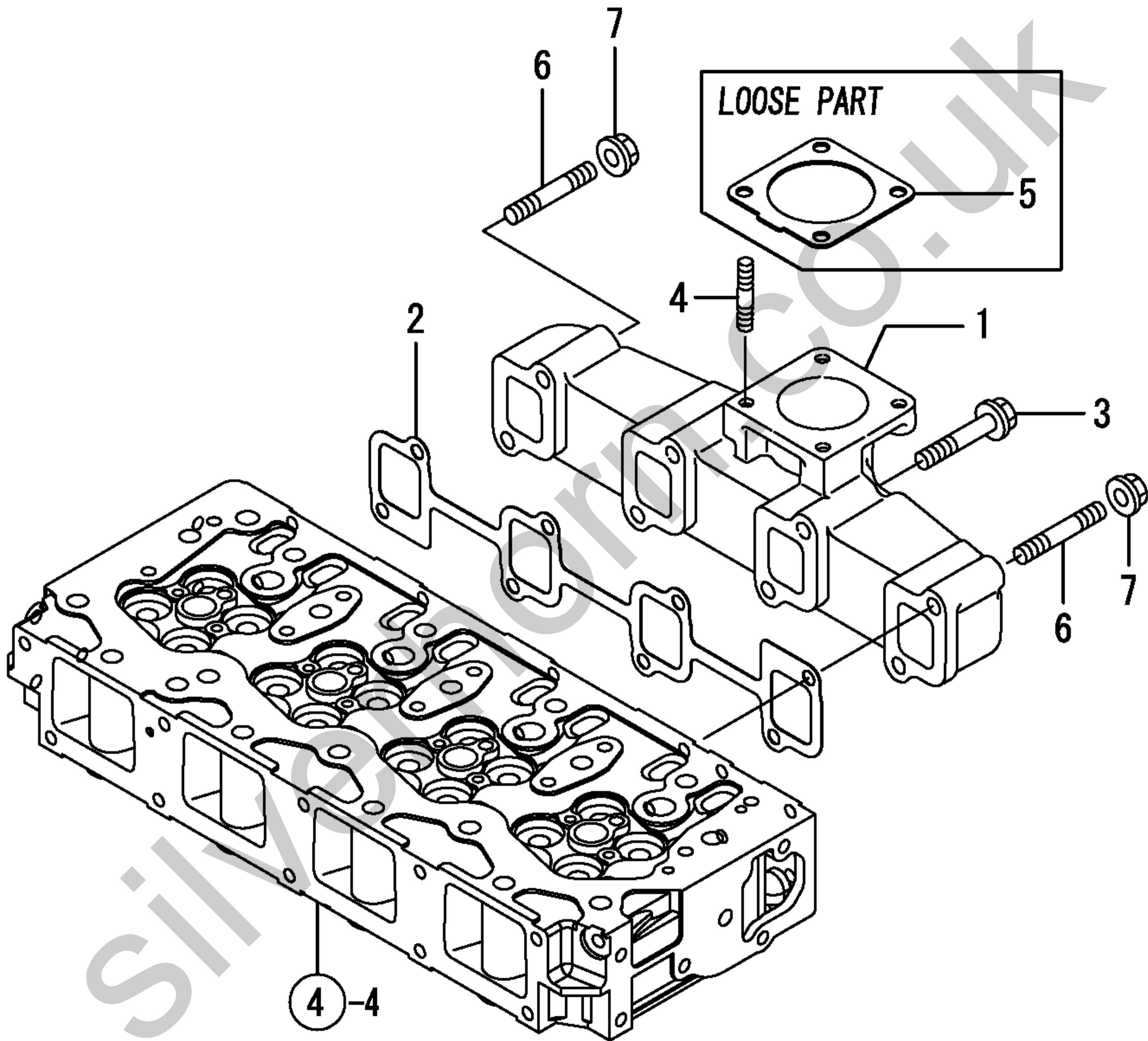
LOOSE PART

8



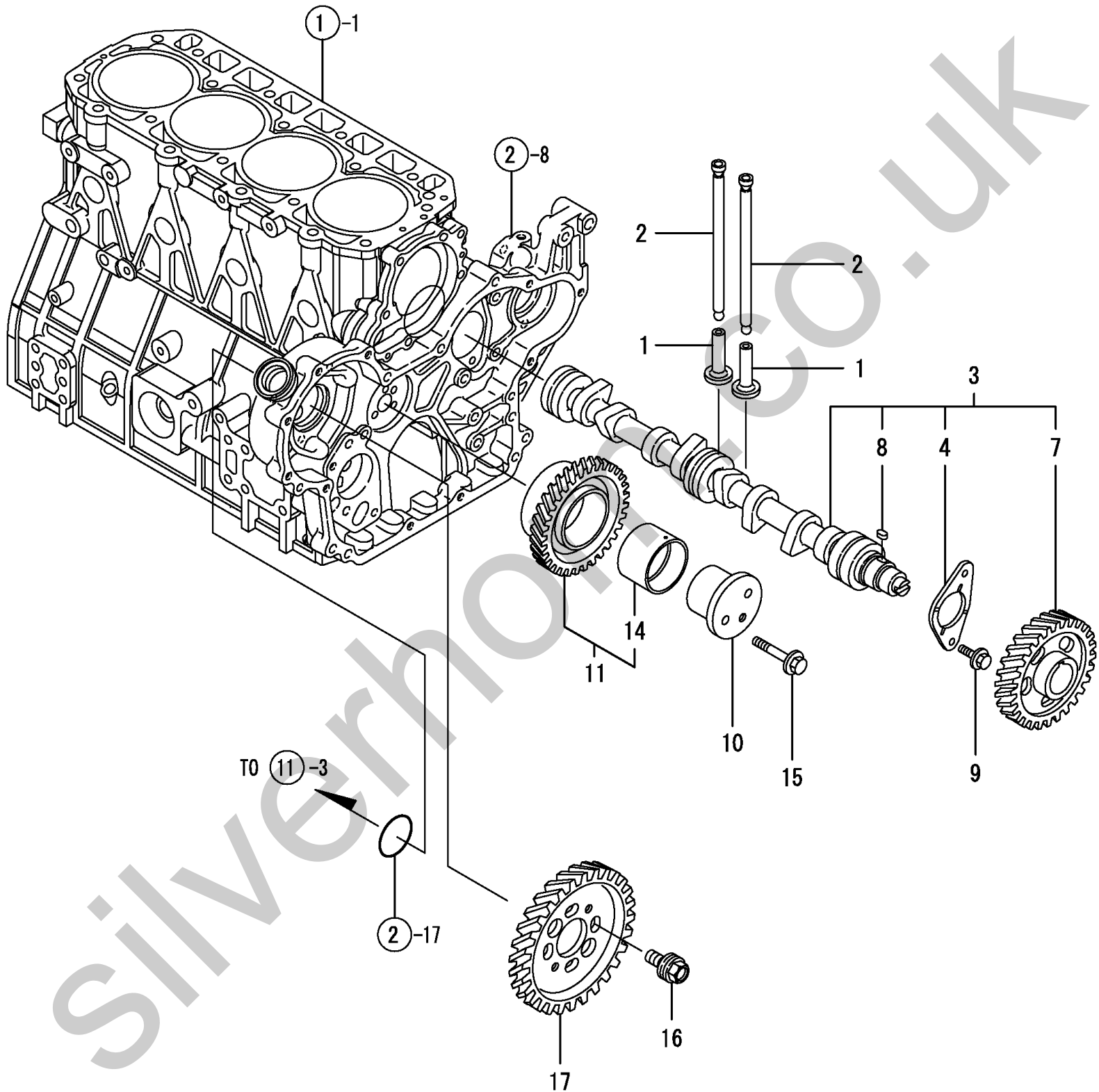
1,1,,129900-13200,, "MANIFOLD, EXHAUST",1,,,,,,,,,,,,,,,,,,,,,  
2,1,,129900-13251,, GASKET,1,,,,,,,,,,,,,,,,,,,,,,,,,,,,,  
3,1,,123900-13630,, "BOLT 8X80",6,,,,,,,,,,,,,,,,,,,,,,,,,,,,,  
4,1,,119131-18320,, "BOLT M 8X 22",4,,,,,,,,,,,,,,,,,,,,,,,,,,,,,  
5,1,,129930-13200,, "GASKET, SILENCER",1,,,,,,,,,,,,,,,,,,,,,,,,,,,,,  
6,1,,123900-13610,, "STUD BOLT M 8X 80",2,,,,,,,,,,,,,,,,,,,,,,,,,,,,,  
7,1,,26306-080002,, NUT,2,,,,,,,,,,,,,,,,,,,,,,,,,,,,,,,,,,,,,

Silverhorn.CO.UK



1,1,,129150-14200,,TAPPET,8,,,,,,,,,,,,,,,,,,,,,  
2,1,,129907-14400,,,"PUSH ROD",8,,,,,,,,,,,,,,,,,,,,,  
3,1,,129907-14581,,,"CAMSHFT ASSY",1,,,,,,,,,,,,,,,,,,,,,  
4,2,,129150-02450,,,"METAL,THRUST(CAM",1,,,,,,,,,,,,,,,,,,,,,  
7,2,,129900-14100,,,"GEAR, CAMSHAFT",1,,,,,,,,,,,,,,,,,,,,,  
8,2,,22512-070140,,,"KEY 7X 14",1,,,,,,,,,,,,,,,,,,,,,  
9,1,,26106-080162,,,"BOLT M 8X 16 PLATED",2,,,,,,,,,,,,,,,,,,,,,  
10,1,,123900-25060,,,"SHAFT(GEAR, IDLE",1,,,,,,,,,,,,,,,,,,,,,  
11,1,,129900-25100,,,"GEAR ASSY, IDLE",1,,,,,,,,,,,,,,,,,,,,,  
14,2,,129150-25920,,,"BUSH, IDLE GEAR",1,,,,,,,,,1,,,,,,,,,,,,,  
15,1,,26106-080552,,,"BOLT M 8X 55 PLATED",3,,,,,,,,,,,,,,,,,,,,,  
16,1,,129953-25300,,,"BOLT",4,,,,,,,,,,,,,,,,,,,,,  
17,1,,123907-25909,,,"GEAR,F.I.PUMP",1,,,,,,,,,,,,,,,,,,,,,

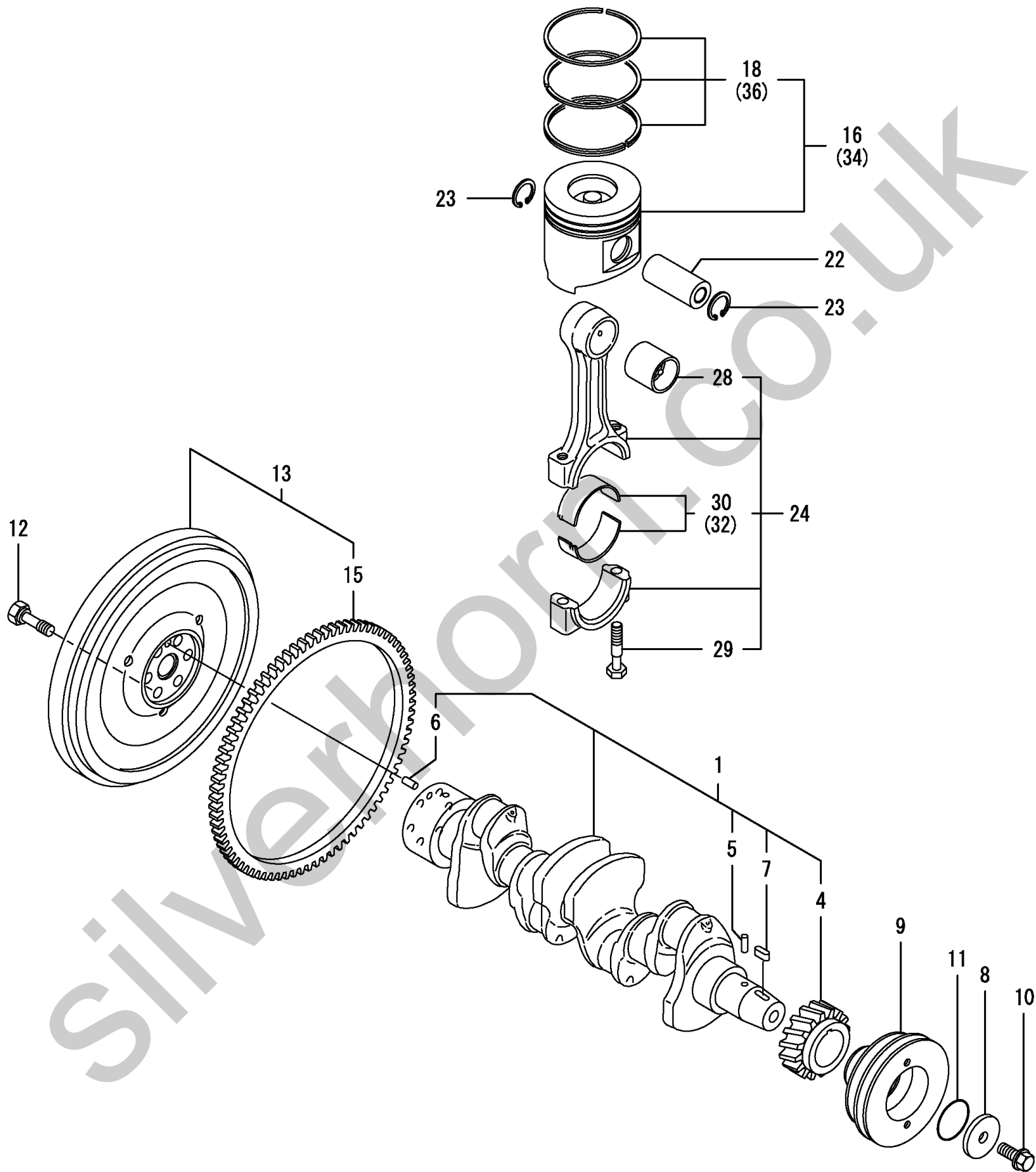
Silverhorn.CO.UK



1,1,,129902-21000,, "CRANKSHAFT COMP",1,,,,,,,,,,,,,  
 4,2,,129900-21200,, "GEAR, CRANKSHAFT",1,,,,,,,,,,,,,  
 5,2,,121850-21290,, "PARALLEL PIN",1,,,,,,,,,,,,,  
 6,2,,121850-21920,, "PARALLEL PIN 10X22",1,,,,,,,,,,,,,  
 7,2,,22512-070140,, "KEY 7X 14",1,,,,,,,,,,,,,  
 8,1,,129960-21640,, "WASHER",1,,,,,,,,,,,,,  
 9,1,,129916-21620,, "V-PULLEY",1,,,,,,,,,,,,,  
 10,1,,129916-21610,, "BOLT, V-PULLEY",1,,,,,,,,,,,,,  
 11,1,,24341-000530,, "O-RING 1A S-53.0",1,,,,,,,,,,,,,  
 12,1,,121850-21130,, "BOLT, FLYWHEEL",6,,,,,,,,,,,,,  
 13,1,,129916-21590,, "FLYWHEEL ASSY",1,,,,,,,,,,,,,  
 15,2,,129900-21600,, "GEAR, RING",1,,,,,,,,,,,,,  
 16,1,,129906-22080,, "PISTON W/RING",4,,,,,,,,,,,,,  
 18,2,,129906-22050,, "RING SET, PISTON",4,,,,,,,,,,,,,  
 22,1,,120130-22301,, "PIN, PISTON",4,,,,,,,,,,,,,  
 23,1,,22252-000300,, "CIRCLIP 30",8,,,,,,,,,,,,,  
 24,1,,129900-23000,, "ROD ASSY, CONNECTING",4,,,,,,,,,,,,,  
 28,2,,129900-23910,, "BUSH, PISTON PIN",4,,,,,,,,,1,,,,,  
 29,2,,129900-23200,, "BOLT, ROD",8,,,,,,,,,,,,,  
 30,2,,129900-23600,, "METAL ASSY, CRANKPIN",4,,,,,,,,,,,,,  
 32,1,,129900-23610,, "BEARING, PIN U.S=0.25",4,,,,,,,,,2,,,,,  
 34,1,,729906-22900,, "PISTON W/RING O.S=25",4,,,,,,,,,3,,,,,  
 36,2,,729906-22950,, "RING SET O.S=0.25",4,,,,,,,,,3,,,,,

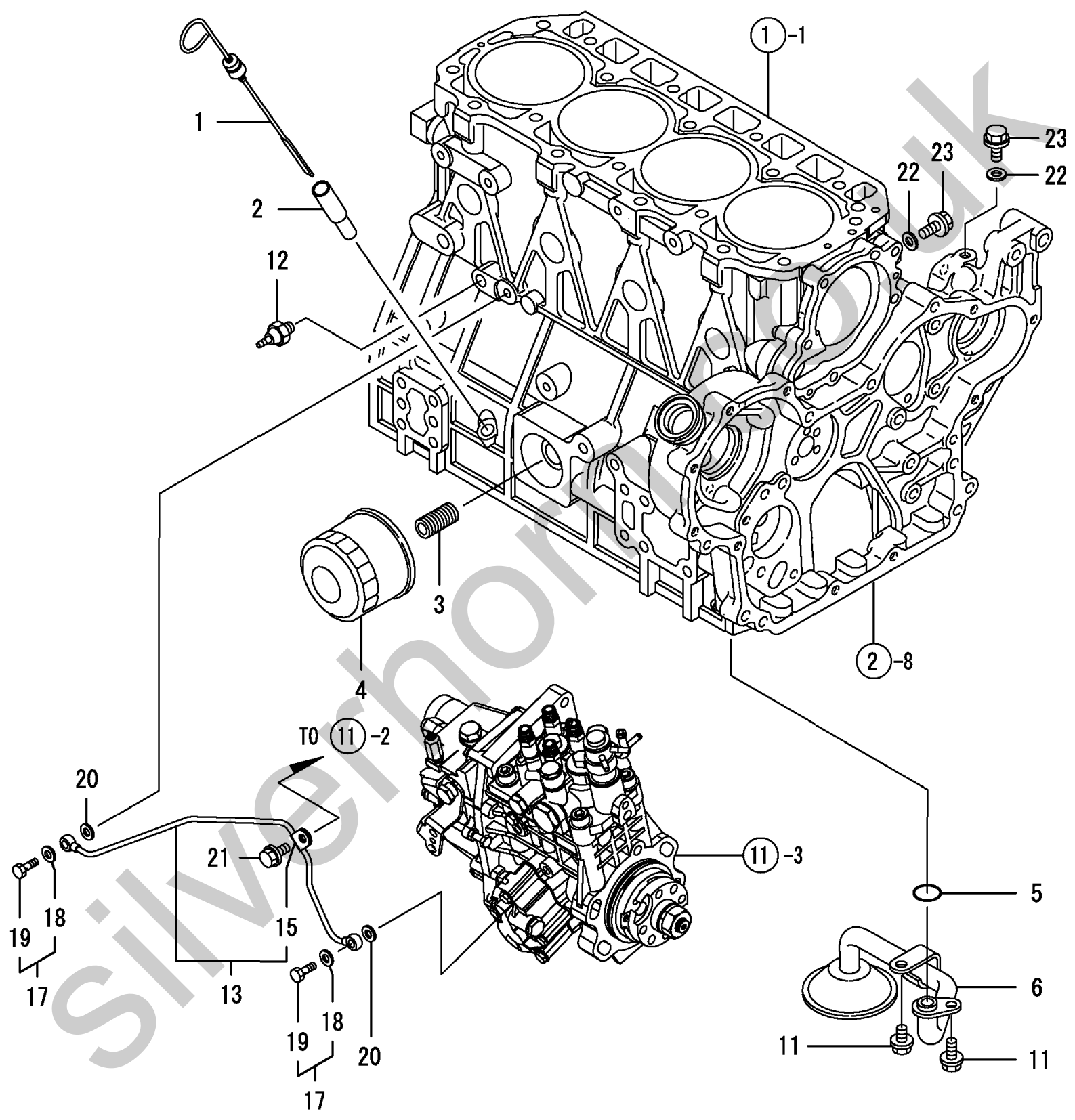
Silverhorn.CO.UK





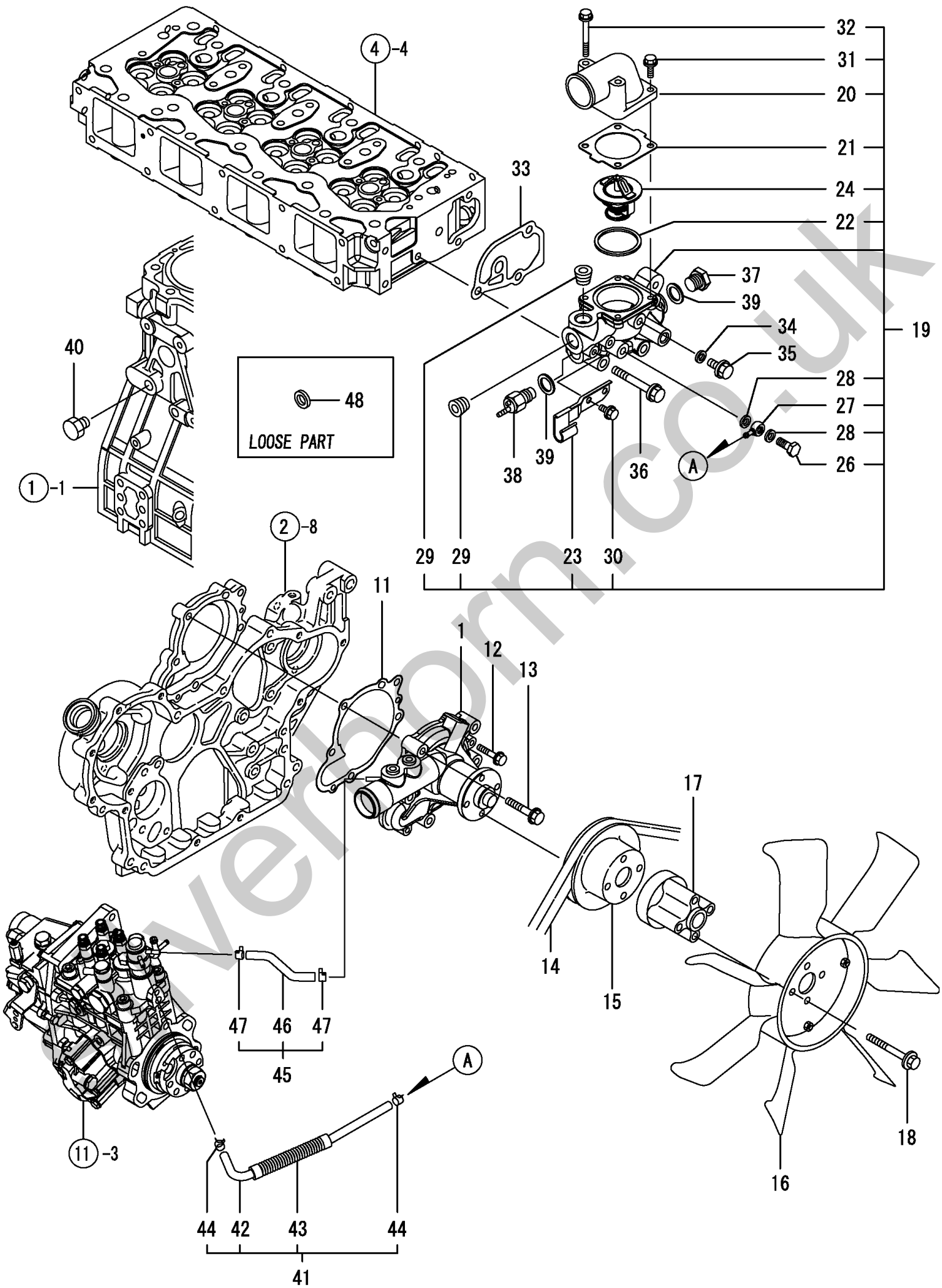
1,1,,129900-34800,,DIPSTICK,1,,,,,,,,,,,,,  
2,1,,121520-34810,,,"GUIDE, DIPSTICK",1,,,,,,,,,,,,,  
3,1,,119000-35140,,,"STUD, LUB.OIL FILTER",1,,,,,,,,,,,,,  
4,1,,129150-35151,,,"FILTER 80X80L",1,,,,,,,,,,,,,  
5,1,,129900-32030,,,"O-RING P20",1,,,,,,,,,,,,,  
6,1,,129900-35000,,,"PIPE ASSY, LUB. OIL",1,,,,,,,,,,,,,  
11,1,,26106-080122,,,"BOLT M 8X 12 PLATED",2,,,,,,,,,,,,,  
12,1,,114250-39450,,,"SWITCH, (0.5KG)L.O.",1,,,,,,,,,,,,,  
13,1,,129907-39060,,,"LO-T(MP4 CMP",1,,,,,,,,,,,,,  
15,2,,123907-39500,,,"SUPPORT,PIPE",1,,,,,,,,,,,,,  
17,1,,129005-59830,,,"BOLT ASSY, JOINT",2,,,,,,,,,,,,,  
18,2,,22190-080002,,,"SEAL WASHER 8S",2,,,,,,,,,,,,,  
19,2,,23857-030000,,,"JOINT BOLT 3",2,,,,,,,,,,,,,  
20,1,,22190-080002,,,"SEAL WASHER 8S",2,,,,,,,,,,,,,  
21,1,,26106-080122,,,"BOLT M 8X 12 PLATED",1,,,,,,,,,,,,,  
22,1,,22190-080002,,,"SEAL WASHER 8S",2,,,,,,,,,,,,,  
23,1,,26106-080122,,,"BOLT M 8X 12 PLATED",2,,,,,,,,,,,,,

Silverhorn.CO.UK



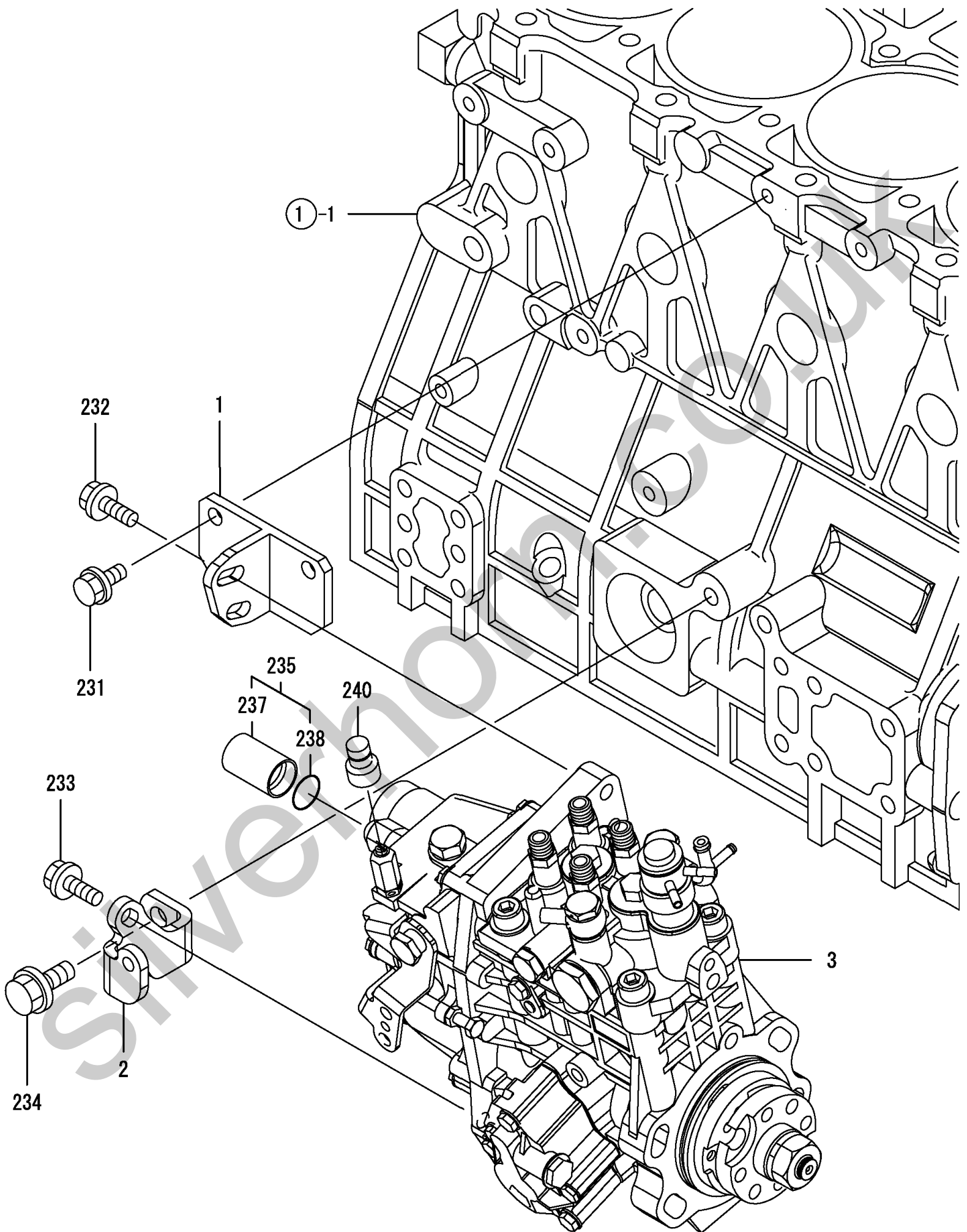
1,1,,129907-42000,, "PUMP ASSY, WATER",1,,,,,,,,,,,,,  
11,1,,129900-42020,, "GASKET, CW-P",1,,,,,,,,,,,,,  
12,1,,26106-060302,, "BOLT M 6X 30 PLATED",2,,,,,,,,,,,,,  
13,1,,26106-080552,, "BOLT M 8X 55 PLATED",5,,,,,,,,,,,,,  
14,1,,25153-004500,, "V-BELT B45",1,,,,,,,,,,,,,  
15,1,,129916-42410,, "PULLEY, C.W.PUMP",1,,,,,,,,,,,,,  
16,1,,129981-44740,, "FAN, COOLING",1,,,,,,,,,,,,,  
17,1,,119117-44760,, "SPACER",1,,,,,,,,,,,,,  
18,1,,129916-44770,, "BOLT M8X78 PLATED",4,,,,,,,,,,,,,  
19,1,,129906-49810,, "CASE ASSY,THERMOSTAT",1,,,,,,,,,,,,,  
20,2,,129980-49530,, "COVER, THERMOSTAT",1,,,,,,,,,,,,,  
21,2,,121850-49540,, "GASKET, THERMOSTAT",1,,,,,,,,,,,,,  
22,2,,121850-49550,, "GASKET, THERMOSTAT",1,,,,,,,,,,,,,  
23,2,,129907-49730,, "PIPE ASSY, INJECTION",1,,,,,,,,,,,,,  
24,2,,121850-49800,, "THERMOSTAT",1,,,,,,,,,,,,,  
26,2,,105582-59150,, "BOLT, PIPE JOINT",1,,,,,,,,,,,,,  
27,2,,23387-040800,, "JOINT 4- 8",1,,,,,,,,,,,,,  
28,2,,23414-080000,, "GASKET 8, ROUND",2,,,,,,,,,,,,,  
29,2,,129916-49740,, "PLUG, DRAIN R03",2,,,,,,,,,,,,,  
30,2,,26106-060122,, "BOLT M 6X 12 PLATED",2,,,,,,,,,,,,,  
31,2,,26106-060202,, "BOLT M 6X 20 PLATED",2,,,,,,,,,,,,,  
32,2,,26106-060552,, "BOLT M 6X 55 PLATED",2,,,,,,,,,,,,,  
33,1,,129900-49870,, "GASKET, CASE",1,,,,,,,,,,,,,  
34,1,,23414-080000,, "GASKET 8, ROUND",1,,,,,,,,,,,,,  
35,1,,26106-080122,, "BOLT M 8X 12 PLATED",1,,,,,,,,,,,,,  
36,1,,26106-080602,, "BOLT M 8X 60 PLATED",3,,,,,,,,,,,,,  
37,1,,121450-42450,, "PLUG M16",1,,,,,,,,,,,,,  
38,1,,121250-44901,, "SWITCH, THERMO(110 $\beta$ C",1,,,,,,,,,,,,,  
39,1,,124465-44950,, "GASKET 16",2,,,,,,,,,,,,,  
40,1,,171056-49120,, "PLUG, DRAIN",1,,,,,,,,,,,,,  
41,1,,129907-49610,, "HOSE A ASSY,WATER",1,,,,,,,,,,,,,  
42,2,,129907-49710,, "PIPE A, COOLING WATER",1,,,,,,,,,,,,,  
43,2,,129907-49750,, "PROTECTOR, PIPE 10.7",1,,,,,,,,,,,,,  
44,2,,124722-59050,, "CLAMP 9",2,,,,,,,,,,,,,  
45,1,,129907-49620,, "HOSE B ASSY,WATER",1,,,,,,,,,,,,,  
46,2,,129907-49720,, "PIPE B, COOLING WATER",1,,,,,,,,,,,,,  
47,2,,124722-59050,, "CLAMP 9",2,,,,,,,,,,,,,  
48,1,,129150-49360,, "GASKET 10",1,,,,,,,,,,,,,





1,1,,129907-01950,, "RETAINER,MP4",1,,,,,,,,,,,,,,,,,,,,,  
2,1,,129907-01960,, "RETAINER,MP4",1,,,,,,,,,,,,,,,,,,,,,  
3,1,,729906-51310,, "INJECTON PUMP ASSY",1,,,,,,,,,,,,,,,,,,,,,  
231,1,,26106-080162,, "BOLT M 8X 16 PLATED",2,,,,,,,,,,,,,,,,,,,,,  
232,1,,26106-080222,, "BOLT M 8X 22 PLATED",2,,,,,,,,,,,,,,,,,,,,,  
233,1,,26106-080222,, "BOLT M 8X 22 PLATED",1,,,,,,,,,,,,,,,,,,,,,  
234,1,,26106-100202,, "BOLT M10X 20 PLATED",1,,,,,,,,,,,,,,,,,,,,,  
235,1,,129209-61940,, "CASE ASSY",1,,,,,,,,,,,,,,,,,,,,,  
237,2,,129209-61960,, CASE,1,,,,,,,,,1,,,,,,,,,,,,,  
238,2,,24311-000150,, "O-RING 1A P-15.0",1,,,,,,,,,,,,,,,,,,,,,  
240,1,,119285-66650,, "CAP, HIGH-IDLE",1,,,,,,,,,1,,,,,,,,,,,,,

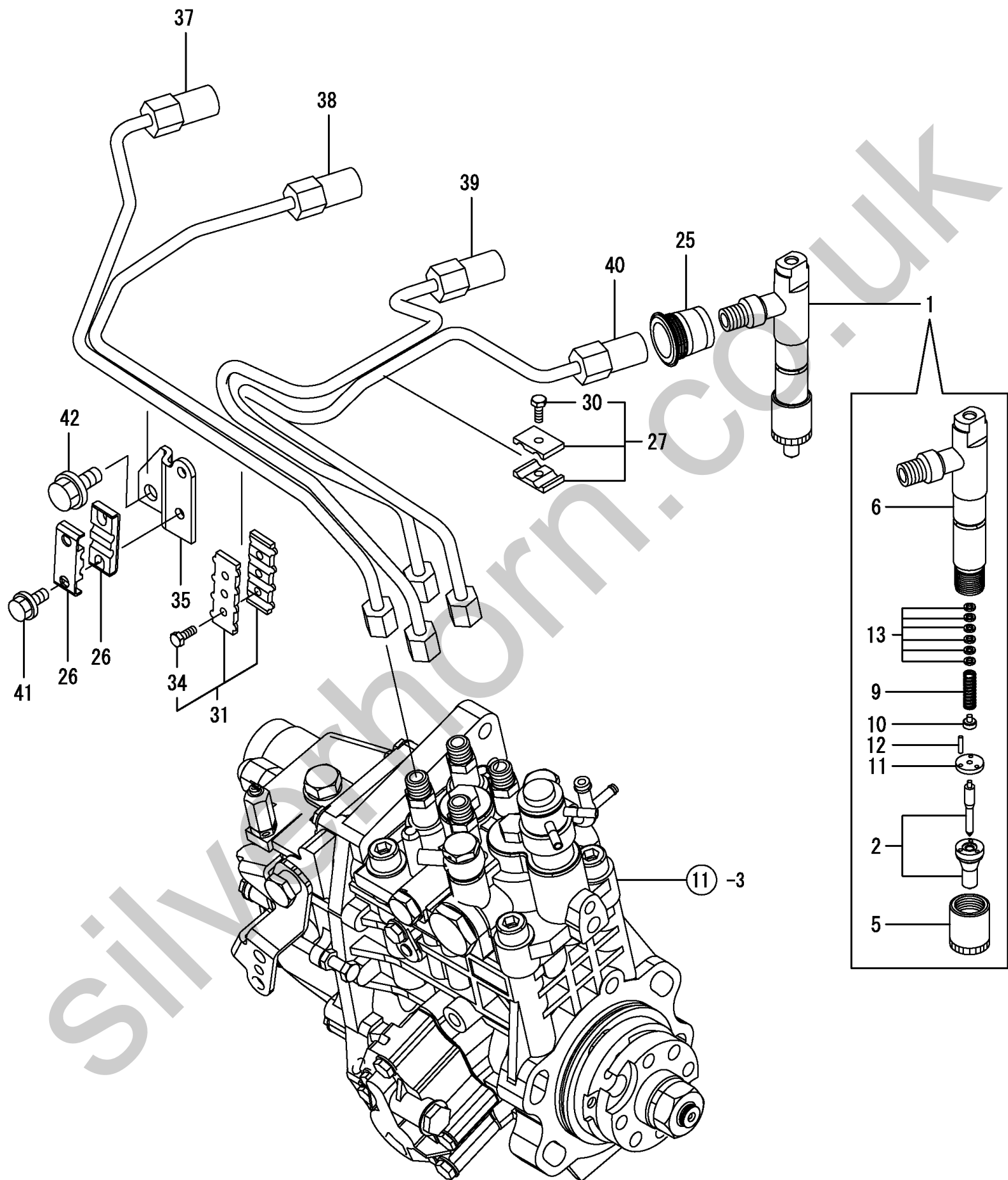
Silverhorn.CO.UK



1,1,,729906-53100,, "VALVE ASSY, F.INJECT",4,,,,,,,,,,,,,,,,,,,,,  
2,2,,129906-53000,, "NOZZLE ASSY",4,,,,,,,,,,,,,,,,,,,,,  
5,2,,114250-53080,, "NUT, NOZZLE CASE",4,,,,,,,,,,,,,,,,,,,,,  
6,2,,129907-53100,, "HOLDER ASSY, NOZZLE",4,,,,,,,,,,,,,,,,,,,,,  
9,2,,114250-53120,, "SPRING, NOZZLE",4,,,,,,,,,,,,,,,,,,,,,  
10,2,,114250-53130,, "SEAT, NOZZLE SPRING",4,,,,,,,,,,,,,,,,,,,,,  
11,2,,114250-53140,, "PLATE, STOP",4,,,,,,,,,,,,,,,,,,,,,  
12,2,,114250-53210,, PIN,8,,,,,,,,,,,,,,,,,,,,,  
13,2,,114250-53400,, "SHIM PACK",4,,,,,,,,,,,,,,,,,,,,,  
25,1,,123907-11601,, "PIPE SEAL",4,,,,,,,,,,,,,,,,,,,,,  
26,1,,122780-59100,, RETAINER,2,,,,,,,,,,,,,,,,,,,,,  
27,1,,119305-59120,, RETAINER,1,,,,,,,,,,,,,,,,,,,,,  
30,2,,129150-59131,, "BOLT M4X14,HEX.SCKT.",1,,,,,,,,,,,,,,,,,,,,,  
31,1,,129550-59120,, RETAINER,1,,,,,,,,,,,,,,,,,,,,,  
34,2,,129150-59131,, "BOLT M4X14,HEX.SCKT.",2,,,,,,,,,,,,,,,,,,,,,  
35,1,,129907-59710,, "PIPE ASSY, INJECTION",1,,,,,,,,,,,,,,,,,,,,,  
37,1,,129907-59810,, "PIPE ASSY, INJECTION",1,,,,,,,,,,,,,,,,,,,,,  
38,1,,129907-59820,, "PIPE ASSY, INJECTION",1,,,,,,,,,,,,,,,,,,,,,  
39,1,,129907-59830,, "PIPE ASSY, INJECTION",1,,,,,,,,,,,,,,,,,,,,,  
40,1,,129907-59840,, "PIPE ASSY, INJECTION",1,,,,,,,,,,,,,,,,,,,,,  
41,1,,26106-060162,, "BOLT M 6X 16 PLATED",2,,,,,,,,,,,,,,,,,,,,,  
42,1,,26106-080182,, "BOLT M 8X 18 PLATED",1,,,,,,,,,,,,,,,,,,,,,

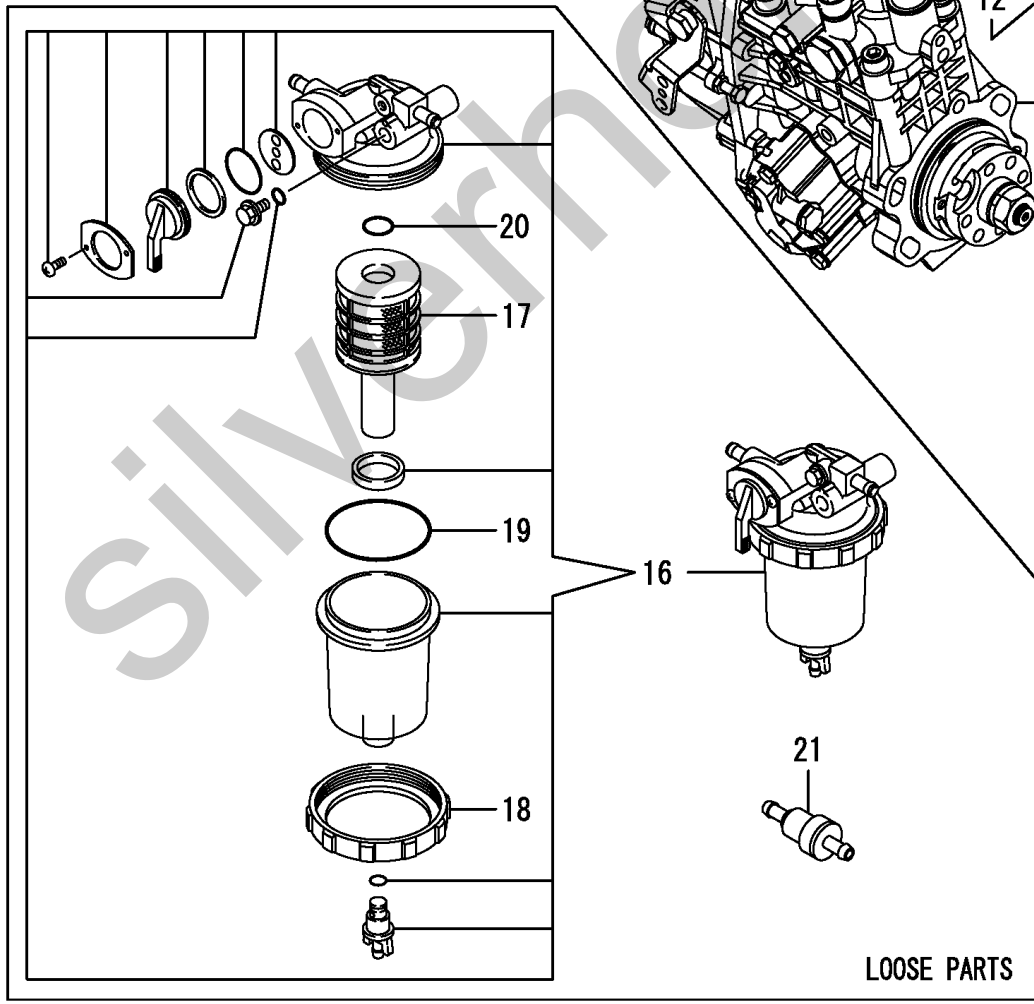
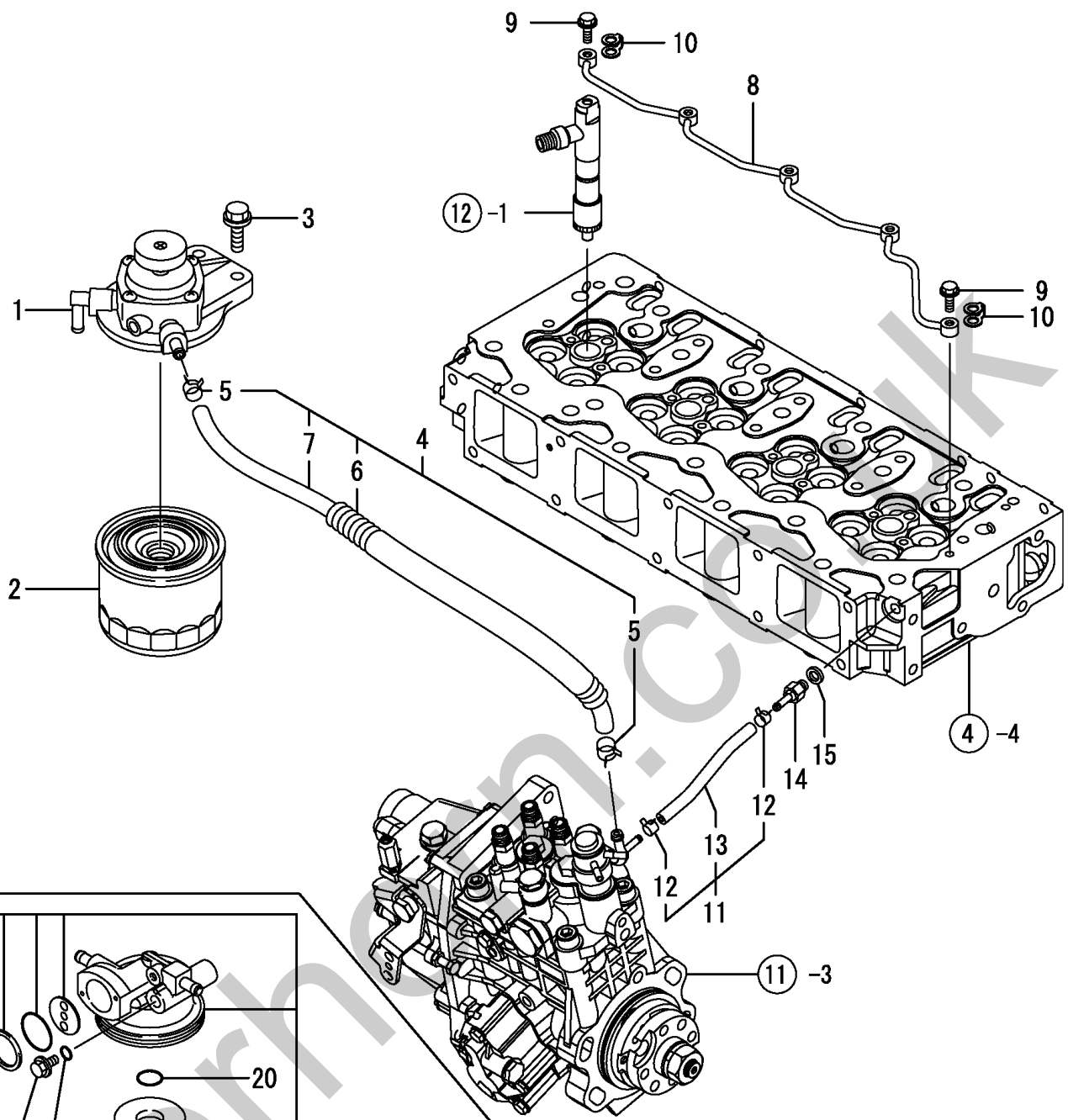






1,1,,119802-55610,, "BRACKET, FILTER",1,,,,,,,,,,,,,  
2,1,,119802-55800,, "FILTER, FUEL",1,,,,,,,,,,,,,  
3,1,,26106-080302,, "BOLT M 8X 30 PLATED",2,,,,,,,,,,,,,  
4,1,,129457-59010,, "PIPE ASSY, FUEL",1,,,,,,,,,,,,,  
5,2,,124766-59050,, "CLAMP 12",2,,,,,,,,,,,,,  
6,2,,129957-59120,, "PROTECTOR, FUEL PIPE",1,,,,,,,,,,,,,  
7,2,,105025-59750,, "PIPE, FUEL OIL",1,,,,,,,,,,,,,  
8,1,,129907-59140,, "PIPE ASSY,F.O.RETURN",1,,,,,,,,,,,,,  
9,1,,123907-59540,, "JOINT BOLT M6",5,,,,,,,,,,,,,  
10,1,,123907-59550,, "PACKING,FUEL RETURN",5,,,,,,,,,,,,,  
11,1,,129486-59551,, "PIPE, FUEL RETURN",1,,,,,,,,,,,,,  
12,2,,124722-59050,, "CLAMP 9",2,,,,,,,,,,,,,  
13,2,,129486-59510,, "PIPE, FUEL RETURN",1,,,,,,,,,,,,,  
14,1,,123907-59560,, "HOSE JOINT 4",1,,,,,,,,,,,,,  
15,1,,22190-080002,, "SEAL WASHER 8S",1,,,,,,,,,,,,,  
16,1,,129906-55700,, "SEPARATOR ASSY",1,,,,,,,,,,,,,  
17,2,,119802-55710,, "ELEMENT",1,,,,,,,,,,,,,  
18,2,,129100-55690,, "RING, RETAINING",1,,,,,,,,,,,,,  
19,2,,24321-000650,, "O-RING 1A G-65.0",1,,,,,,,,,,,,,  
20,2,,24311-000160,, "O-RING 1A P-16.0",1,,,,,,,,,,,,,  
21,1,,119802-59950,, "VALVE, CHECK",1,,,,,,,,,,,,,

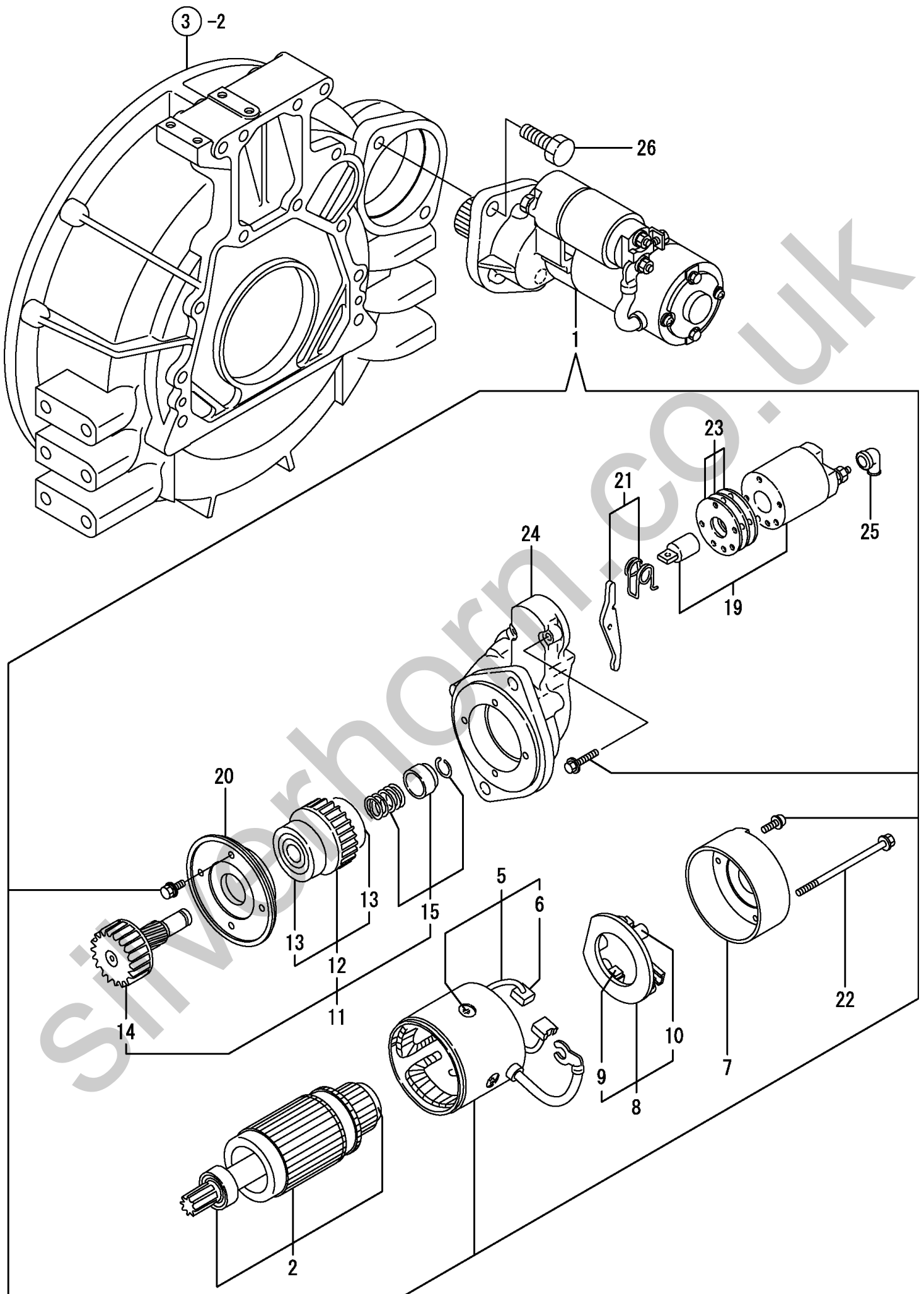
Silverhorn.CO.UK



LOOSE PARTS

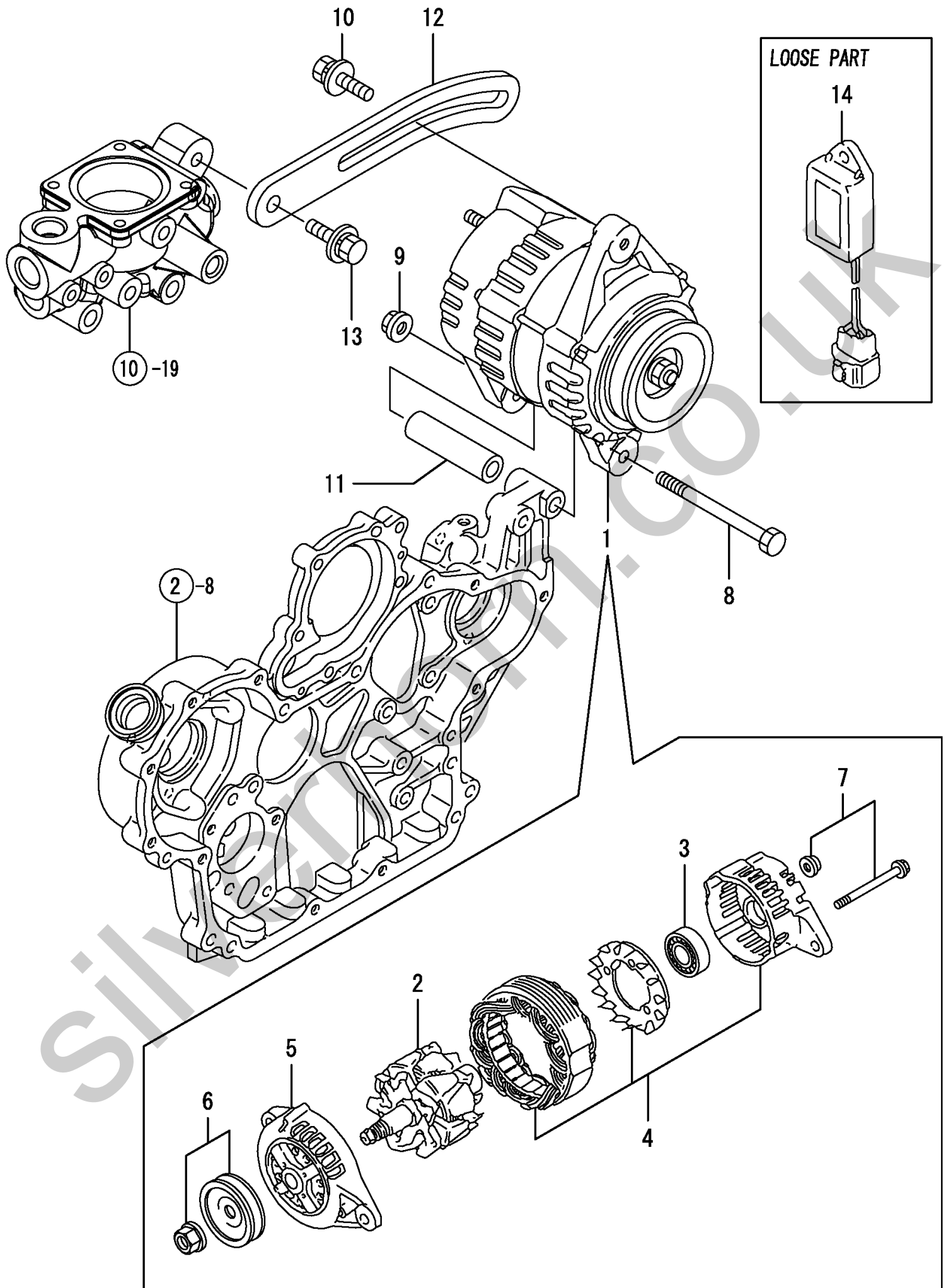
1,1,,123900-77010,,STARTER,1,,,,,,,,,,,,,,,,,,,,,  
2,2,,123900-77400,, "ARMATURE ASSY",1,,,,,,,,,,,,,,,,,,,,,  
5,2,,123900-77440,, "COIL ASSY, FIELD",1,,,,,,,,,,,,,,,,,,,,,  
6,3,,123900-77450,, "BRUSH (+)",2,,,,,,,,,,,,,,,,,,,,,  
7,2,,123900-77460,, "COVER, REAR",1,,,,,,,,,,,,,,,,,,,,,  
8,2,,123900-77480,, "HOLDER, BRUSH",1,,,,,,,,,,,,,,,,,,,,,  
9,3,,123900-77450,, "BRUSH (+)",2,,,,,,,,,,,,,,,,,,,,,  
10,3,,121254-77590,, "SPRING, BRUSH",4,,,,,,,,,,,,,,,,,,,,,  
11,2,,123900-77510,, "PINION ASSY",1,,,,,,,,,,,,,,,,,,,,,  
12,3,,123900-77520,, "CLUTCH ASSY",1,,,,,,,,,,,,,,,,,,,,,  
13,4,,X2240610100,, "BALL BEARING (3",2,,,,,,,,,,,,,,,,,,,,,  
14,3,,123900-77540,, "SHAFT, PINION",1,,,,,,,,,,,,,,,,,,,,,  
15,3,,119131-77550,, "STOPPER KIT, PINION",1,,,,,,,,,,,,,,,,,,,,,  
19,2,,129900-77591,, "SWITCH ASSY,MAGNETIC",1,,,,,,,,,,,,,,,,,,,,,  
20,2,,123900-77610,, "RETAINER, BEARING",1,,,,,,,,,,,,,,,,,,,,,  
21,2,,129900-77620,, "SHIFT LEVER SET",1,,,,,,,,,,,,,,,,,,,,,  
22,2,,123900-77640,, "THROUGHT BOLT",2,,,,,,,,,,,,,,,,,,,,,  
23,2,,123900-77650,, "COVER ASSY, DUST",1,,,,,,,,,,,,,,,,,,,,,  
24,2,,123900-77710,, "HOUSING, GEARS",1,,,,,,,,,,,,,,,,,,,,,  
25,2,,171008-77750,, "COVER, M TERMINAL",1,,,,,,,,,,,,,,,,,,,,,  
26,1,,26116-120302,, "BOLT M12X 30 PLATED",2,,,,,,,,,,,,,,,,,,,,,

Silverhorn.CO.UK



1,1,,123900-77210,,GENERATOR(12V-60A,1,,,,,,,,,,,,,,,,,,,,,  
2,2,,123900-77700,, "ROTOR ASSY",1,,,,,,,,,,,,,,,,,,,,,  
3,2,,129612-77710,, "BALL BEARING",1,,,,,,,,,,,,,,,,,,,,,  
4,2,,123900-77720,, "REAR BRACKET ASSY",1,,,,,,,,,,,,,,,,,,,,,  
5,2,,123900-77730,, "FRONT BRACKET ASSY",1,,,,,,,,,,,,,,,,,,,,,  
6,2,,123900-77740,, PULLEY,1,,,,,,,,,,,,,,,,,,,,,  
7,2,,123900-77750,, "SCREW KIT",1,,,,,,,,,,,,,,,,,,,,,  
8,1,,26116-101202,, "BOLT M10X120 PLATED",1,,,,,,,,,,,,,,,,,,,,,  
9,1,,26306-100002,, NUT,1,,,,,,,,,,,,,,,,,,,,,  
10,1,,119810-77340,, BOLT,1,,,,,,,,,,,,,,,,,,,,,  
11,1,,129470-77340,, SPACER,1,,,,,,,,,,,,,,,,,,,,,  
12,1,,129916-77300,, ADJUSTER,1,,,,,,,,,,,,,,,,,,,,,  
13,1,,26014-080252,, "BOLT M 8X 25",1,,,,,,,,,,,,,,,,,,,,,  
14,1,,129211-77920,, TIMER,1,,,,,,,,,,,,,,,,,,,,,

Silverhorn.CO.UK

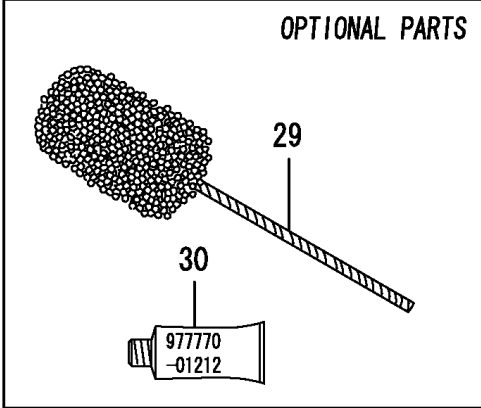
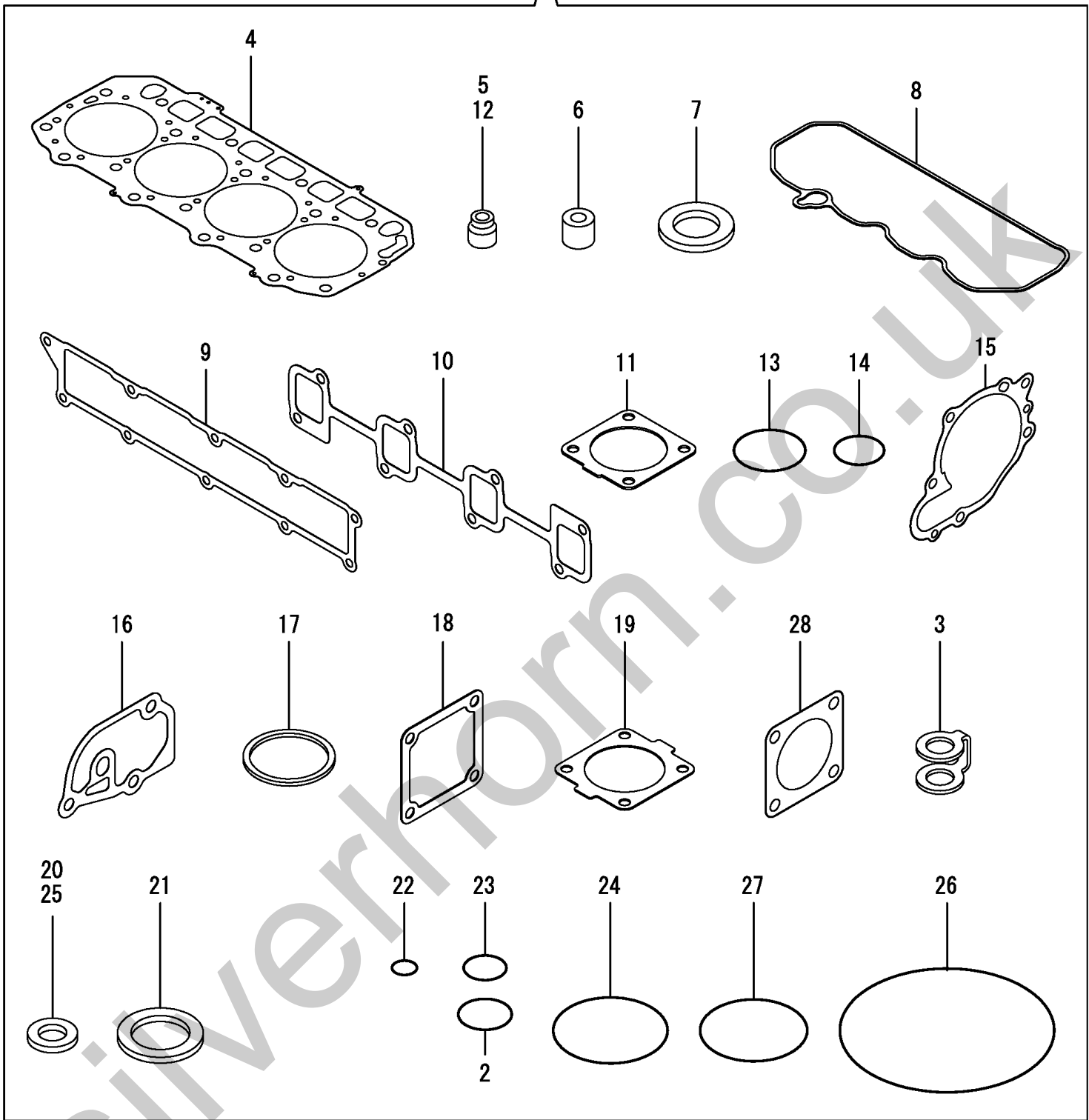


1,1,,729906-92620,, "GASKET SET(NON-ASB.)",1,,,,,,,,,1,,,,,,,,,  
2,2,,24311-000150,, "O-RING 1A P-15.0",1,,,,,,,,,1,,,,,,,,,  
3,2,,123907-59550,, "PACKING,FUEL RETURN",5,,,,,,,,,5,,,,,,,,,  
4,2,,129906-01340,, "GASKET,CYLINDER HEAD",1,,,,,,,,,1,,,,,,,,,  
5,2,,124160-11340,, "SEAL, VALVE STEM",8,,,,,,,,,8,,,,,,,,,  
6,2,,119802-11870,, "PROTECTOR, NOZZLE",4,,,,,,,,,4,,,,,,,,,  
7,2,,119625-11880,, "SEAT, NOZZLE",4,,,,,,,,,4,,,,,,,,,  
8,2,,129907-11310,, "PACKING,BONNET",1,,,,,,,,,1,,,,,,,,,  
9,2,,129907-12110,, "PACKING(INT.MANIFOLD",1,,,,,,,,,1,,,,,,,,,  
10,2,,129900-13251,, "GASKET",1,,,,,,,,,1,,,,,,,,,  
11,2,,129930-13200,, "GASKET, SILENCER",1,,,,,,,,,1,,,,,,,,,  
12,2,,124950-11340,, "SEAL, VALVE STEM",8,,,,,,,,,8,,,,,,,,,  
13,2,,129900-32030,, "O-RING P20",2,,,,,,,,,2,,,,,,,,,  
14,2,,129900-32040,, "O-RING P14",1,,,,,,,,,1,,,,,,,,,  
15,2,,129900-42020,, "GASKET, CW-P",1,,,,,,,,,1,,,,,,,,,  
16,2,,129900-49870,, "GASKET, CASE",1,,,,,,,,,1,,,,,,,,,  
17,2,,121850-49550,, "GASKET, THERMOSTAT",1,,,,,,,,,1,,,,,,,,,  
18,2,,121850-77021,, "GASKET, (NON-ASB.)",1,,,,,,,,,1,,,,,,,,,  
19,2,,121850-49540,, "GASKET, THERMOSTAT",1,,,,,,,,,1,,,,,,,,,  
20,2,,23414-080000,, "GASKET 8, ROUND",3,,,,,,,,,3,,,,,,,,,  
21,2,,124465-44950,, "GASKET 16",2,,,,,,,,,2,,,,,,,,,  
22,2,,24311-000070,, "O-RING 1A P-7.0",1,,,,,,,,,1,,,,,,,,,  
23,2,,24311-000120,, "O-RING 1A P 12.0",8,,,,,,,,,8,,,,,,,,,  
24,2,,24311-000320,, "O-RING 1A P-32.0",3,,,,,,,,,3,,,,,,,,,  
25,2,,22190-080002,, "SEAL WASHER 8S",7,,,,,,,,,7,,,,,,,,,  
26,2,,24341-000530,, "O-RING 1A S-53.0",1,,,,,,,,,1,,,,,,,,,  
27,2,,24351-030750,, "PACKING, 3075",1,,,,,,,,,1,,,,,,,,,  
28,2,,124240-01883,, "GASKET, (NON-ASB.)",1,,,,,,,,,1,,,,,,,,,  
29,1,,129400-92450,, "HORN, FLEX",1,,,,,,,,,1,,,,,,,,,  
30,1,,977770-01212,, "GASKET, LIQUID",1,,,,,,,,,1,,,,,,,,,

Silverhorn.CO.UK



1



0,Y00B7000  
1,001,, "ENGINE 4TNV94L-PDBWE"  
2,1,, "CYLINDER BLOCK",4TNV94LPDBWE,,,  
2,2,, "GEAR HOUSING",4TNV94LPDBWE,,,  
2,3,, "FLYWHEEL HOUSING & OIL SUMP",4TNV94LPDBWE,,,  
2,4,, "CYLINDER HEAD & BONNET",4TNV94LPDBWE,,,  
2,5,, "SUCTION MANIFOLD",4TNV94LPDBWE,,,  
2,6,, "EXHAUST MANIFOLD",4TNV94LPDBWE,,,  
2,7,, "CAMSHAFT & DRIVING GEAR",4TNV94LPDBWE,,,  
2,8,, "CRANKSHAFT & PISTON",4TNV94LPDBWE,,,  
2,9,, "LUB.OIL SYSTEM",4TNV94LPDBWE,,,  
2,10,, "COOLING WATER SYSTEM",4TNV94LPDBWE,,,  
2,11,, "FUEL INJECTION PUMP",4TNV94LPDBWE,,,  
2,12,, "FUEL INJECTION VALVE",4TNV94LPDBWE,,,  
2,13,, "FUEL LINE",4TNV94LPDBWE,,,  
2,14,, "STARTING MOTOR",4TNV94LPDBWE,,,  
2,15,, "GENERATOR",4TNV94LPDBWE,,,  
2,16,, "GASKET SET",4TNV94LPDBWE,,,

Silverhorn.CO.UK